

EL[®]MARK

The Brand of Electricity

LED PANELS ROUND IP44



GENERAL INFORMATION »

- ∴ Nominal voltage: 85-2650V/ 50-60Hz
- ∴ Power: 5W; 12W; 18W;
- ∴ Driver: Isolated
- ∴ Light source: SMD 2835
- ∴ Colour temperature: 4000K; 6500K
- ∴ Colour body: White
- ∴ Body: Aluminium
- ∴ Beam angle: 120°
- ∴ Colour rendering index: Ra≥80
- ∴ Switch on/off:>20 000
- ∴ Long life: 30 000h
- ∴ Protection against dust and moisture: IP44
- ∴ Installation: Built-in
- ∴ Available in variant with an emergency kit

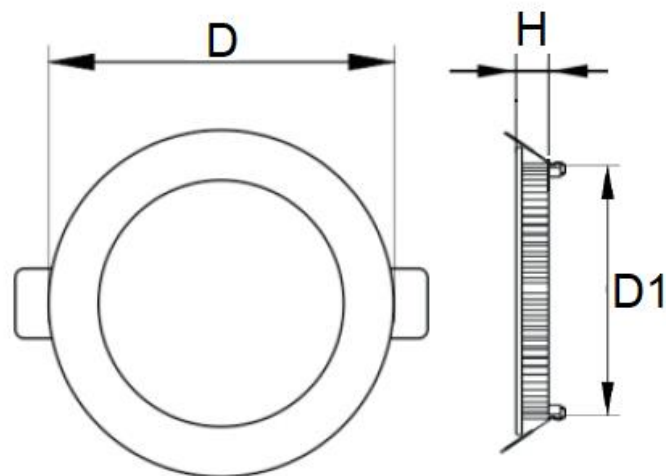
FEATURES »

- ∴ Completely replace traditional fluorescent lighting
- ∴ Safety, low voltage operation
- ∴ Emit a very pleasant and even light with very low glare factor due to the diffusion lens
- ∴ Low power consumption
- ∴ Instant light with maximum luminous flux
- ∴ Environmentally friendly - do not emit mercury and lead
- ∴ No ultraviolet and infrared rays
- ∴ Resistant to shock and vibration
- ∴ Easy installation due to handy clips
- ∴ Suitable for home, offices, halls, shops, hospitals
- ∴ Ideal for places with high level of moisture

PRODUCT DETAILS »

Catalogue number	Catalogue number with Emergency kit	Watt (W)	Whole fixture lumens (lm)	Colour temp. (K)	Colour body
99LED609IP44	99LED609IP44E	5	400	4000	white
99LED609IP44CW	99LED609IP44CWE	5	400	6500	white
99LED611IP44	99LED611IP44E	12	960	4000	white
99LED611IP44CW	99LED611IP44CWE	12	960	6500	white
99LED617IP44	99LED617IP44E	18	1440	4000	white
99LED617IP44CW	99LED617IP44CWE	18	1440	6500	white

DIMENSIONS »



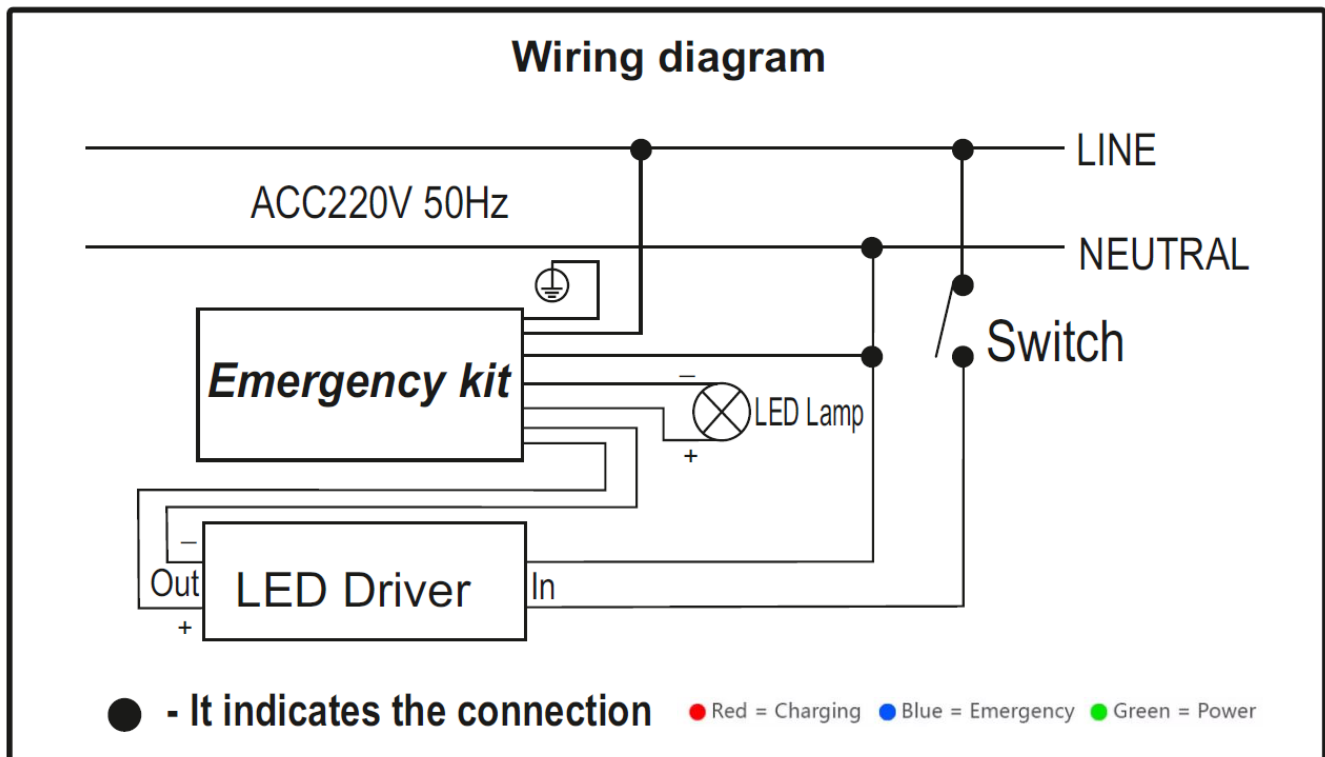
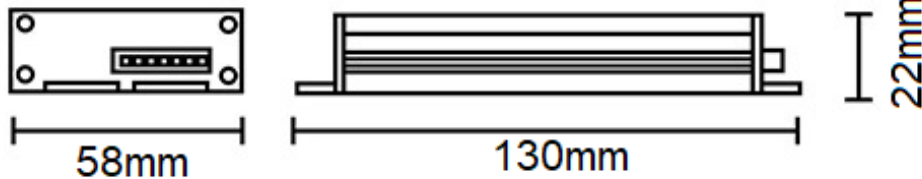
Catalogue number	Diameter (mm)	Width (mm)	Diameter1 (mm)
99LED609IP44	90	21	70
99LED609IP44CW	90	21	70
99LED611IP44	175	21	140
99LED611IP44CW	175	21	140
99LED617IP44	225	21	200
99LED617IP44CW	225	21	200

LED EMERGENCY KIT SPECIFICATIONS »




General information »


- ∴ Voltage: AC85-265V 50Hz
- ∴ Emergency Output: 3-40W
- ∴ Emergency Time: 2hrs (120mins)
- ∴ Battery: 3.7V 2400mAh
- ∴ Emergency Switching Time: <2s
- ∴ AC Fuse: 250V 1A
- ∴ DC Fuse: 250V 5A
- ∴ Luminous Flux: >100lm
- ∴ Light Source: LED
- ∴ Working temperature: -10°C +55°C
- ∴ IP Rate: IP30



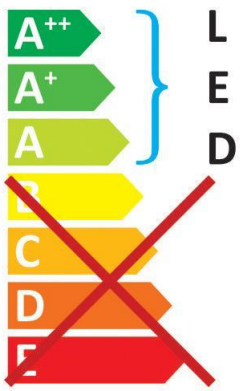
ADDITIONAL INFORMATION »



99LED609IP44




This luminaire contains built-in LED lamps.



The lamps cannot be changed in the luminaire.

874/2012



Catalogue number	Barcode	Packing/Box (pcs)
99LED609IP44	3800131223845	1/40
99LED609IP44CW	3800131225771	1/40
99LED611IP44	3800131220424	1/20
99LED611IP44CW	3800131225788	1/20
99LED617IP44	3800131220431	1/20
99LED617IP44CW	3800131225795	1/20

